



Product Specification
Part #: 01-17-1019
Description: IW, DOUBLE, R15, PREMIUM

Product Applications:

- Possible to use in applications separating up to 40°F.
- Thermal resistance: R- 15 (when 2 walls are hung with 3” air space in between)
- General applications include: upon engineering review

Product Design:

- ASTM E-84 class A exterior vinyl
- High tear resistant and puncture resistant 18oz vinyl exterior
- Recycled polyester batting insulation

Product Construction:

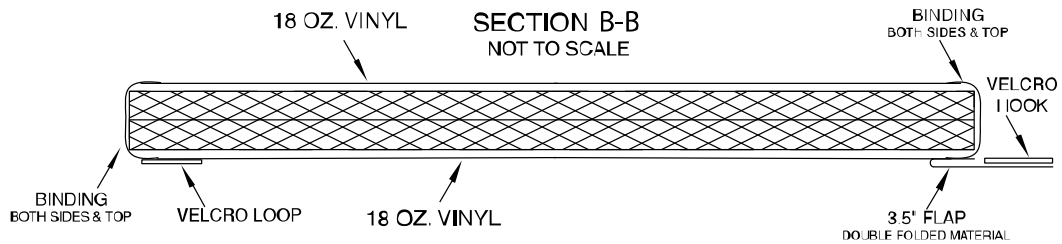
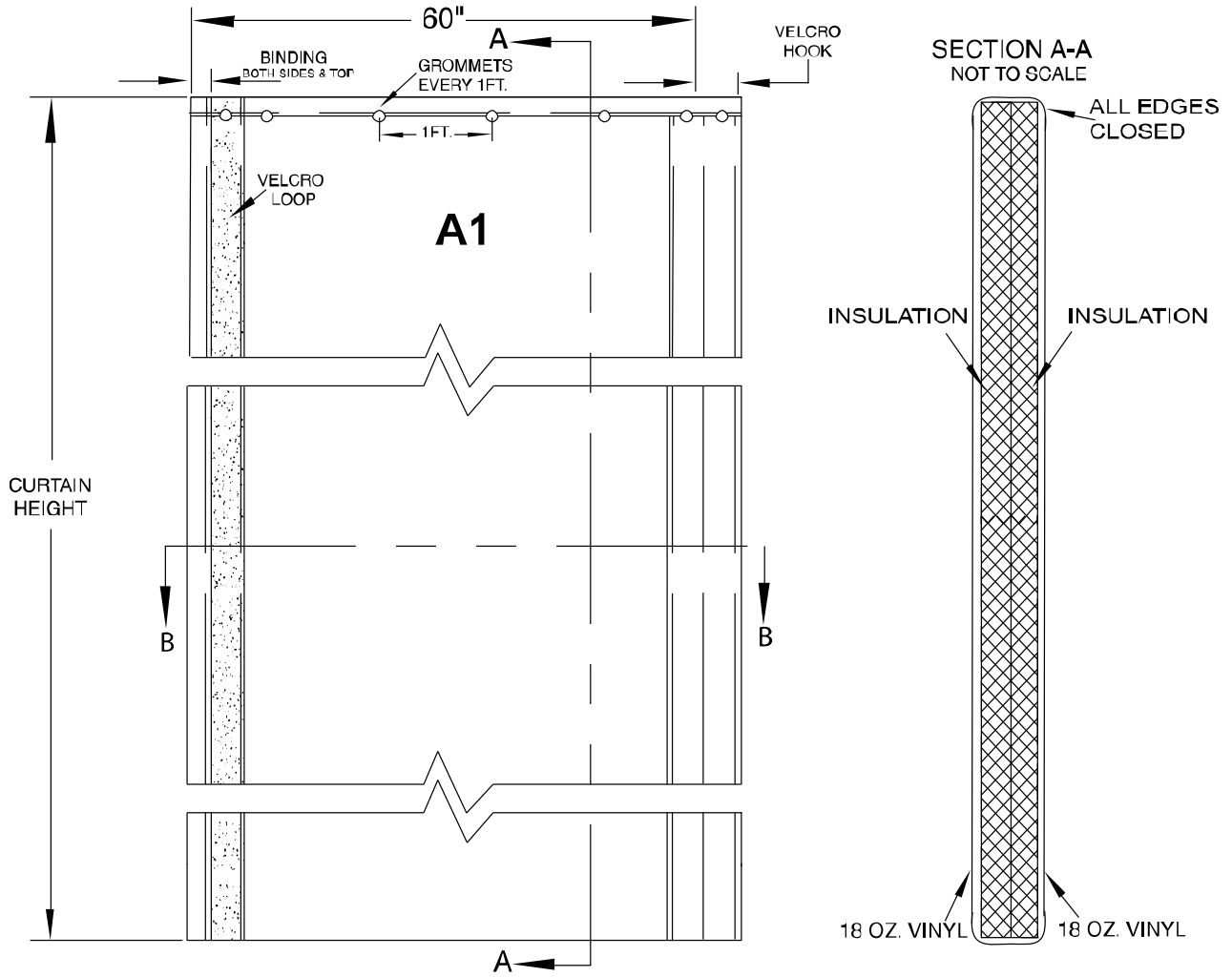
- Flexible partitions are 5’ wide continuous height panels
- Binding sewn on edges, top and bottom of panels
- Impact relief double folded vinyl with Velcro tab to minimize panel separation
- Cut slope on all panels to accommodate roof pitch
- Heavy duty #4 grommets every 12” along the top of panels.
- Valance for bar joist area cut to height, all edges closed with binding, heavy duty #4 grommets every 12” top and bottom
- Approval and installation drawings provided with each order
- Weight – 0.40 lbs/sqft per section. Two sections, total weight 0.8 lbs/sqft of wall.

Available Options:

- Strip doors (ribbed, reinforced, low temperature)
- Mounting angle (galvanized, aluminum)
- Factory cut door openings with grommets every 12” top and sides
- Clear vision panels

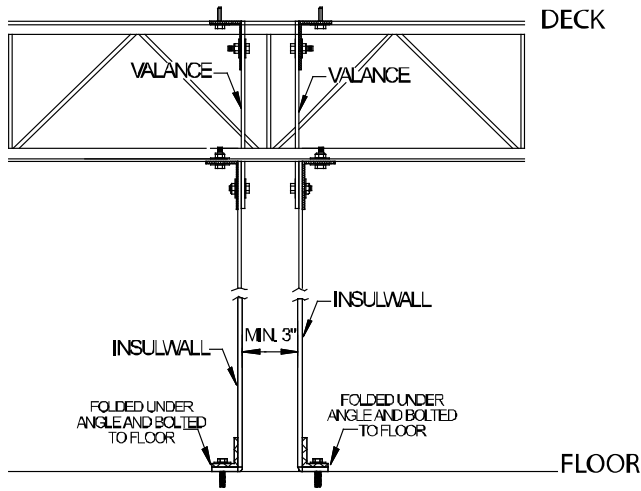
Disclaimer: End user is responsible for checking with local fire department and/or insurer prior to installation of curtains to ensure compliance with all fire regulations.

Part #: 01-17-1019
IW, DOUBLE, R15, PREMIUM
 (COMPLETE SYSTEM CONSISTS OF 2 WALLS HANGING
 BACK TO BACK WITH 3" AIR SPACE IN BETWEEN)

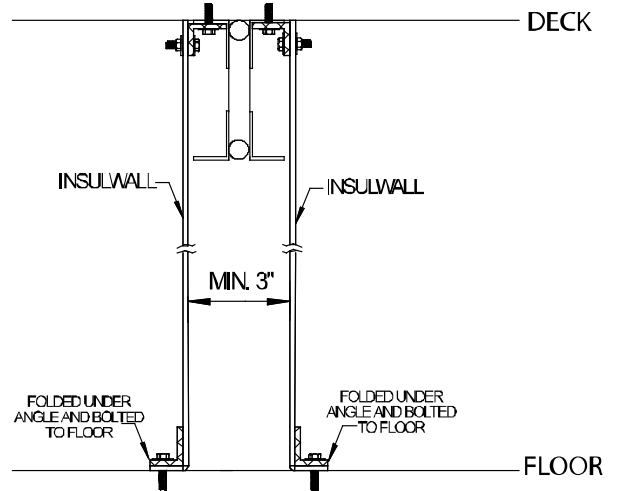


TYPICAL INSTALLATIONS

CASE 1
WALL RUNS PERPENDICULAR TO JOISTS
WITH VALANCE



CASE 2
WALL RUNS PARALLEL TO JOISTS
NO VALANCE



CASE 3
WALL RUNS PARALLEL TO JOISTS
WITH VALANCE

